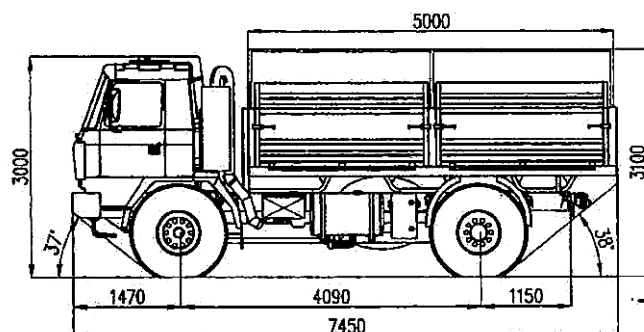




T815-21ER45 17 230 4x4.1/55T



T815-21ER45 17 230 4x4.1/55T

The ARMAX 4x4 chassis is heavy-duty vehicle designated for hard terrain, difficult climatic and environment conditions. Cargo/Troop Carrier on TATRA T815-21ER45 17 230 4x4.1/55T Chassis is designed to carry troops or different loads to operate on roads, forest and field roads, off-road and/or to tow trailers up to 25 tons.

TECHNICAL SPECIFICATIONS

DIMENSION

Width		2 550 mm
Track	- front	2 034 mm
	- rear	2 034 mm
Clearance		365 mm

WEIGHT

Kerb weight	10 000 kg
Payload	7 000 kg
GVW	17 000 kg
Articulated vehicle max. permissible weight	42 000 kg
Front axle max. permissible load	8 000 kg
Rear axle max. permissible load	9 000 kg

FEATURES

Climbing capacity at 17 000 kg	100 %
Climbing capacity at 42 500 kg	30%
Top speed	90 km.hod ⁻¹
Turning circle diameter (outside)	20,0 ± 1,0 m
Fording capability	1200 mm
Crossing ability - trench width	900 mm
Crusing range - on road approx	850 km

ENGINE

Type TATRA T3B-928-10 EURO I	
Nos. of cylinders	8
Bore/stroke	120/140 mm
Swept volume	12667 cm ³
Power (netto)	230 kW / 2 000 min ⁻¹
Torque (netto)	1300 Nm / 1200 min ⁻¹

CLUTCH

Type TATRA MFZ 1x430, single-plate

GEARBOX

Type TATRA 10 TS 140 synchromeshed	
nos. of forward gears	10
reverse	2

AUXILIARY GEARBOX

Type TATRA 2,30 TR 1,6/2,6 downward, two-speed

STEERING

L.H. compact steering

FRONT AXLE

Steered, driven with swinging half-axles, disengageable drive, differential. Torsion bars and telescopic shock absorbers

REAR AXLE

Driven, with swinging half-axles, axle differential. Air bellows and coil springs plus telescopic shock absorbers

TYRES, DISCS

Tyres	14,00R20TL
Discs	10,00-20V

BRAKES

Four separate brake systems: operational, emergency, parking and relief brake

CABIN

Forward tilting, a manhole, dependent oil heater. Two seats.

ELECTRIC EQUIPMENT

Circuit voltage	24V, minus pole grounded
Battery	165Ah
Generator	28 V / 55A
Startermotor	24 V / 6,6 kW

FUEL TANK

220 litres

BASIC EQUIPMENT

Trailer drawbar.

Platform flatbed with tarpaulin, foldable benches rolled up sides of tarp, acces through the rear.